

# TOILET PARTITION HARDWARE

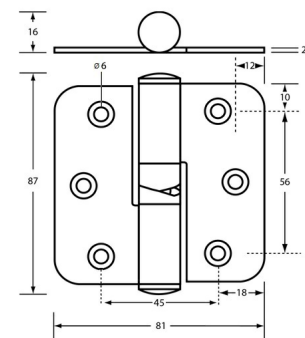


## 207SS

### 207 Gravity Hinge - Visible Fix

#### Specification

|             |  |
|-------------|--|
| Material    | #304 Stainless Steel<br>Nylon Inserts  |
| Finish      | Satin Stainless Steel  |
| Mounting    | Screw Fix or Bolt Through  |
| Specify     | 207_LHHC_SS: Left Hand, Hold Closed. Assists door to move towards Hold Closed position<br>207_LHHO_SS: Left Hand, Hold Open. Assists door to move towards Hold Open position<br>207_RHHC_SS: Right Hand, Hold Closed. Assists door to move towards Hold Closed position<br>207_RHHO_SS: Right Hand, Hold Open. Assists door to move towards Hold Open position |
| Features    | Gravity assisted door opening/door closing with lift off capability.   |
| Load Rating | 15Kg per hinge<br><br>For optimum performance -<br>2 hinges per door up to 30Kgs<br>For doors over 30Kg allow for 15Kg per hinge   |
| Note        | For Bolt Through use 106C_FACEPLATE Concealed Fix Face Plate (Available in Satin Chrome Plate, Bright Chrome Plate and Satin Nickel Plate)   |
| Disclaimer  | Gravity hinges contain no mechanical components. Functionality of these hinges can vary depending on the environment.<br>When selecting this product, please view our Product Disclosure Statement in the Care and Maintenance Download below.   |



#### Downloads & Resources

##### Care & Maintenance

*The photographs and line drawings of the products presented above are representational only. Metlam Australia Pty Ltd reserves the right to, and from time to time, make changes and improvements in design and dimensions.*